

# Welded Clips - Framed Opening Connections

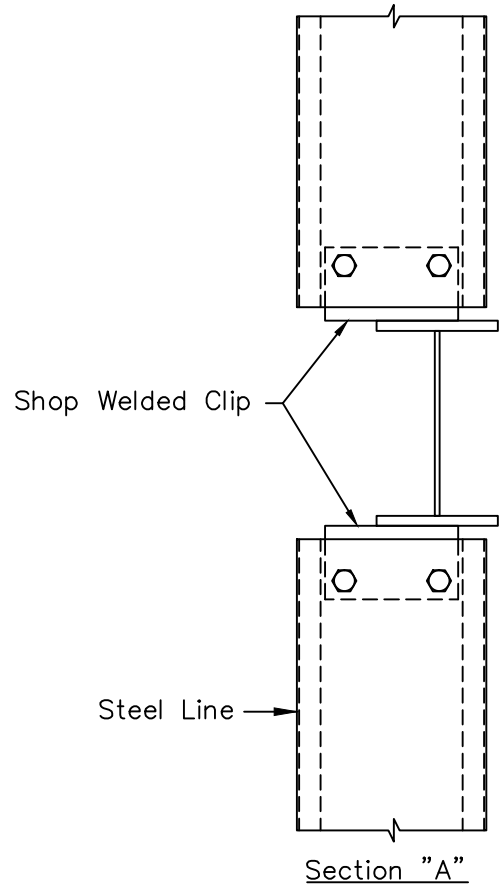
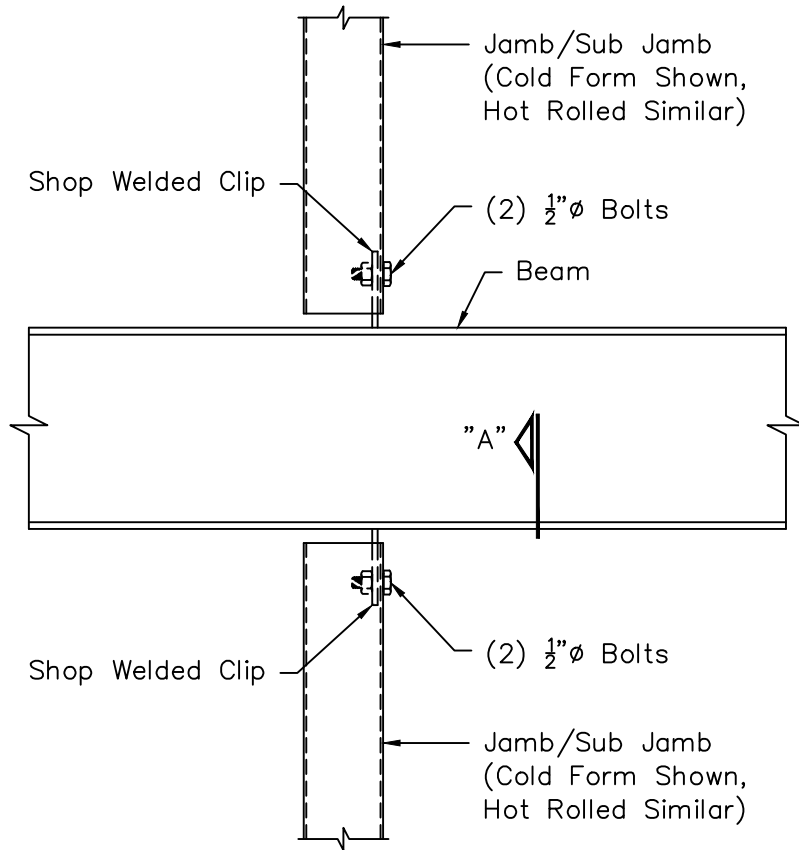
## Cold Form and Hot Rolled Cee - Jamb/Sub Jamb to Beam Flange

Page  
**AC01229**

Date  
**Jul '11**

Rev.  
**00**

### Factory Located



Jamb/Sub Jamb To Beam Flange  
(Factory Located)